

SPECIFICATIONS SHEET

A075 – 3/4 in. PLASTIC PUMP



Air Inlet
1/4" FNPT

Liquid Inlet
3/4"

Liquid Discharge
3/4"

Connection Type
FNPT/FBSPT (Threaded)

Max Suction Lift Capability
15 ft-H₂O (4.6 m-H₂O) Dry
26 ft-H₂O (7.9 m-H₂O) Wet

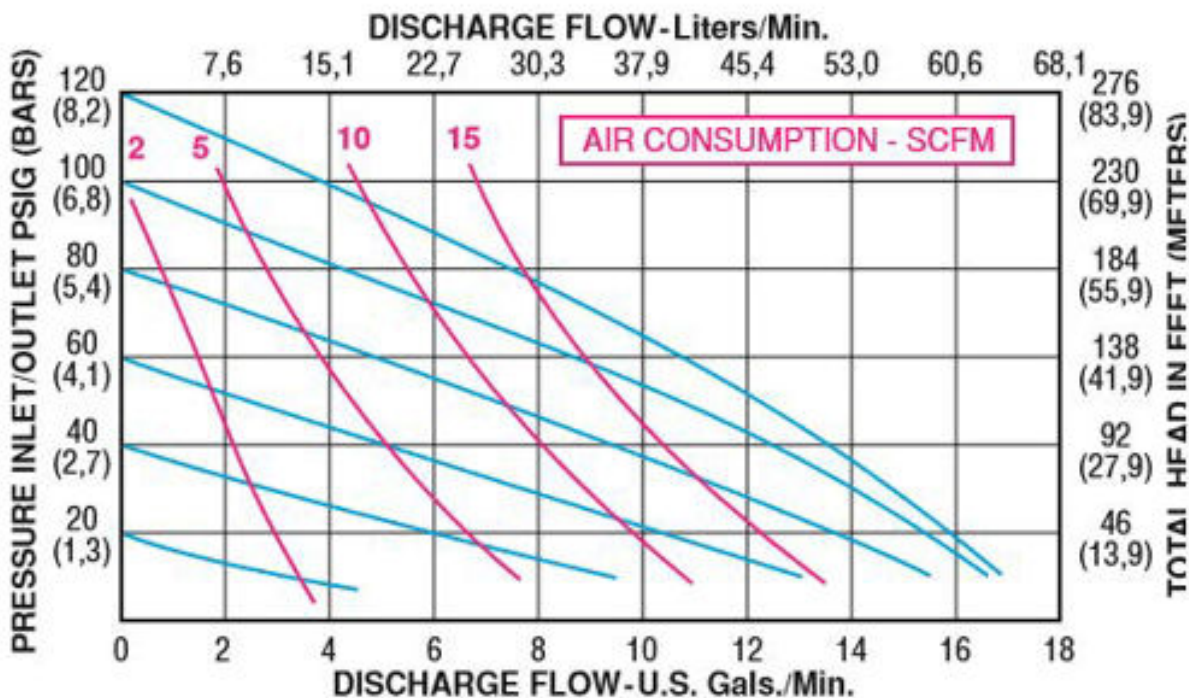
Max Flow Rate
17 gpm (64.6 lpm)

Max Pressure
120 psi (8.2 bar)

Max Solids Dia.
1/8" (3.2 mm)

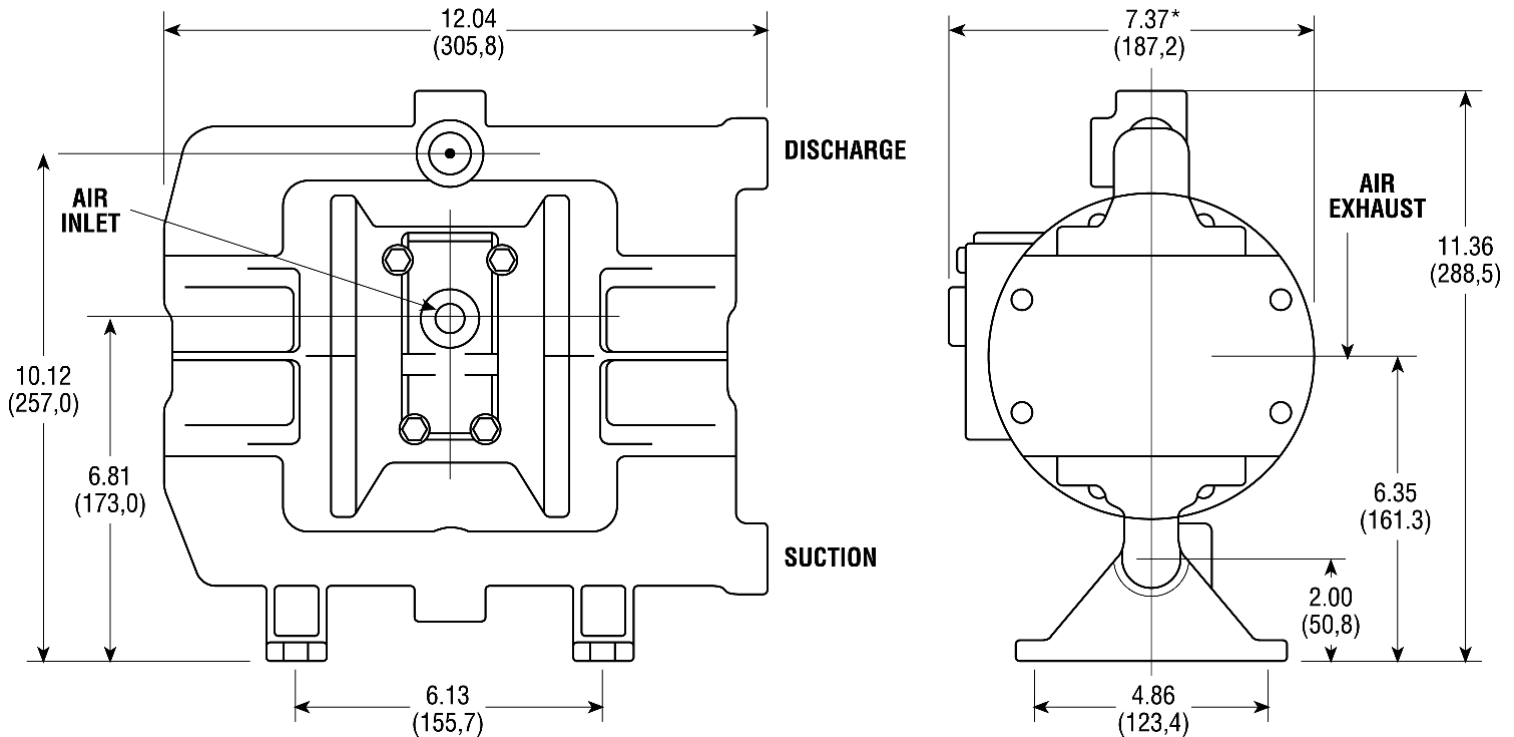
Disp. Per Stroke
0.03 gal (0.10 L)

Weight
Poly: 9 lbs (4.1 kg)
PVDF: 12 lbs (5.4 kg)
Nylon: 12 lbs (5.4 kg)



SPECIFICATIONS SHEET

A075 – 3/4 in. PLASTIC PUMP



Construction

| | |
|--------------------|--|
| Wet End: | Polypropylene, PVDF, Conductive Nylon |
| Air End: | Glass Filled Polypropylene |
| Diaphragms: | Bunast™, PTFE, Santoprene®, FKM |
| Balls: | Bunast™, PTFE, Santoprene®, FKM |
| Seats: | Polypropylene, PVDF |
| O-Rings: | Buna-N, EPDM, PTFE, FKM |
| Hardware: | PTFE Coated Stainless Steel, Stainless Steel |
| Muffler: | Plastic, Metal |

Popular Models

| | |
|--------------------------|--|
| A075-NPP-GGPN-S70 | NPT(BSP), Bunast™ Diaphragm, Bunast™ Ball, Polypropylene Seat, Buna-N O-Ring, Stainless Steel Hardware |
| A075-NPP-SSPE-S70 | NPT(BSP), Santoprene® Diaphragm, Santoprene® Ball, Polypropylene Seat, EPDM O-Ring, Stainless Steel Hardware |
| A075-NPP-TTPT-S70 | NPT(BSP), PTFE Diaphragm, PTFE Ball, Polypropylene Seat, FKM O-Ring, Stainless Steel Hardware |
| A075-NPK-SSKE-S70 | NPT(BSP), Santoprene® Diaphragm, Santoprene® Ball, PVDF Seat, EPDM O-Ring, Stainless Steel Hardware |
| A075-NPK-TTKT-S70 | NPT(BSP), PTFE Diaphragm, PTFE Ball, PVDF Seat, PTFE O-Ring, Stainless Steel Hardware |