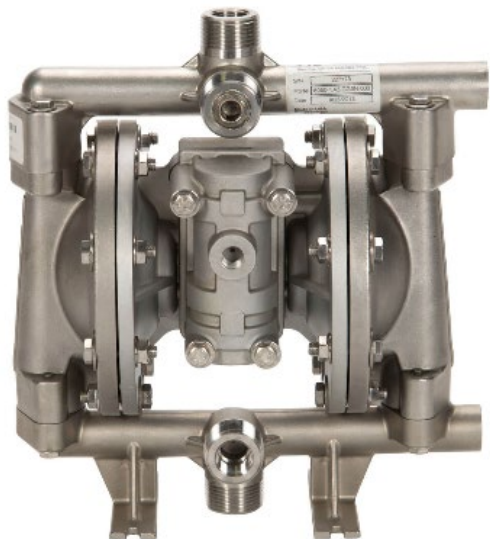


# SPECIFICATIONS SHEET

## A075 – 3/4 in. METAL PUMP



**Air Inlet**  
1/4" FNPT

**Liquid Inlet**  
3/4"

**Liquid Discharge**  
3/4"

**Connection Type**  
FNPT/FBSPT (Threaded)

**Max Suction Lift Capability**  
15 ft-H<sub>2</sub>O (4.6 m-H<sub>2</sub>O) Dry  
31 ft-H<sub>2</sub>O (9.4 m-H<sub>2</sub>O) Wet

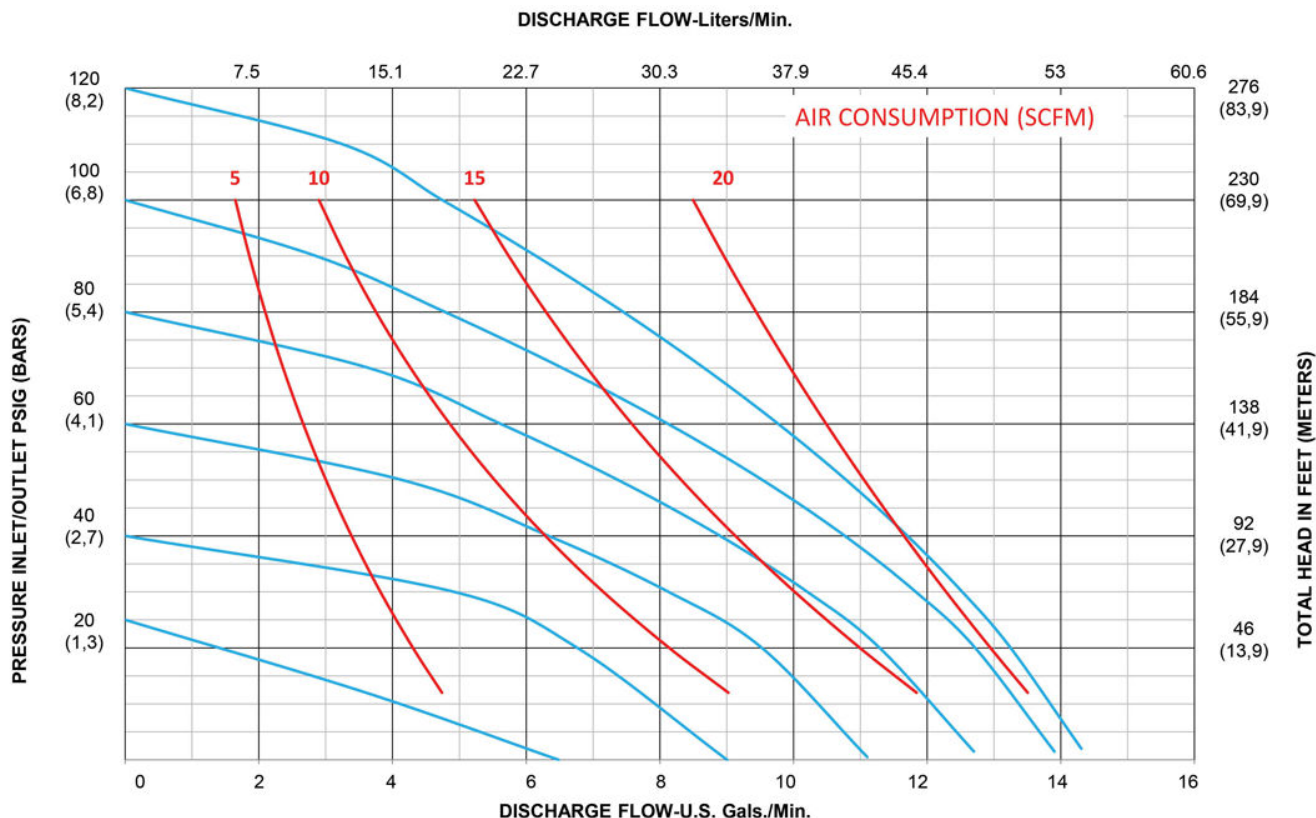
**Max Flow Rate**  
15 gpm (56.8 lpm)

**Max Pressure**  
120 psi (8.2 bar)

**Max Solids Dia.**  
1/8" (3.2 mm)

**Disp. Per Stroke**  
0.03 gal (0.04 L)

**Weight**  
Alum: 10 lbs (4.5 kg)  
SS: 20 lbs (9.1 kg)

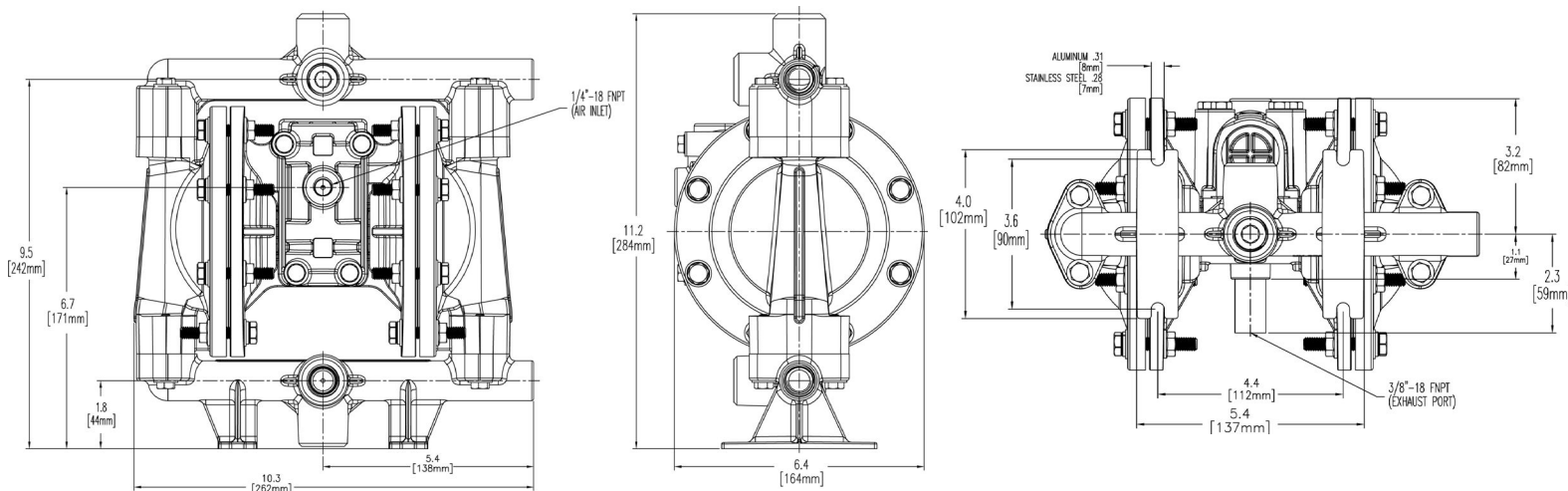


# SPECIFICATIONS SHEET

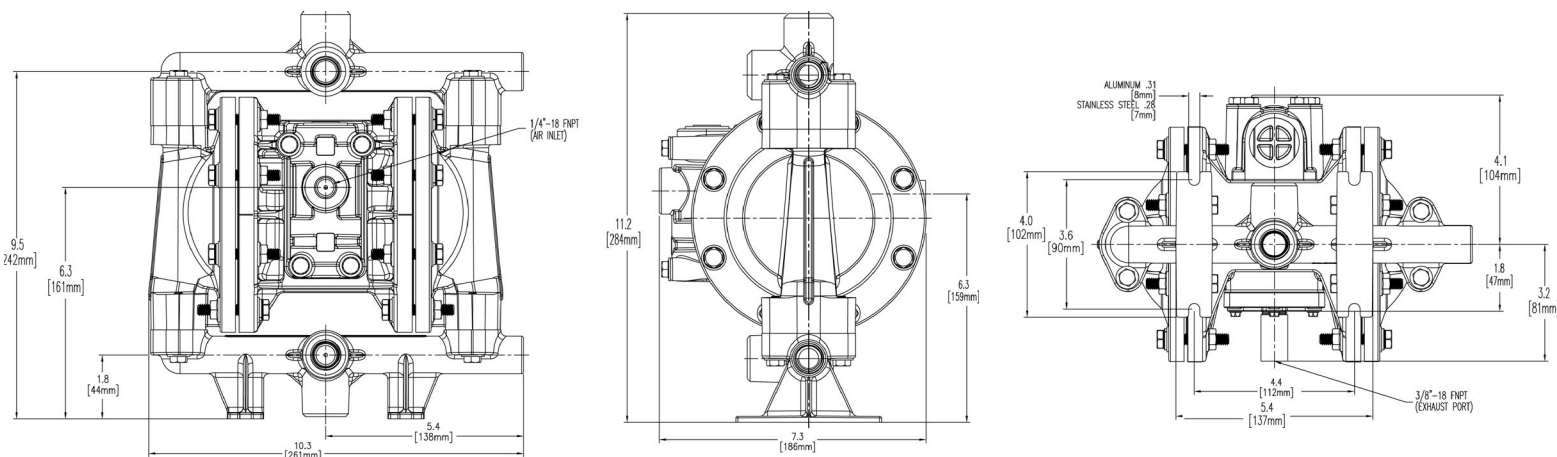
## A075 – 3/4 in. METAL PUMP

PAGE 2 OF 2

### Aluminum Center Section



### Polypropylene Center Section



### Popular Models

<b>A075-NAA-GGPN-A30</b>	NPT, Bunalast™ Diaphragm, Bunalast™ Ball, Polypropylene Seat, Buna-N O-Ring, Zinc Plated Hardware
<b>A075-NAA-SSPE-A30</b>	NPT, Santoprene® Diaphragm, Santoprene® Ball, Polypropylene Seat, EPDM O-Ring, Zinc Plated Hardware
<b>A075-NAA-TTYT-A30</b>	NPT, PTFE Diaphragm, PTFE Ball, Polypropylene Seat, FKM O-Ring, Zinc Plated Hardware
<b>A075-NA3-SS3E-A70</b>	NPT, Santoprene® Diaphragm, Santoprene® Ball, PVDF Seat, EPDM O-Ring, Stainless Steel Hardware
<b>A075-NA3-TT3T-A70</b>	NPT, PTFE Diaphragm, PTFE Ball, PVDF Seat, PTFE O-Ring, Stainless Steel Hardware