

Echotouch™ LU20

Ultrasonic Liquid Level Transmitter

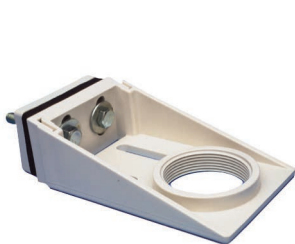


Application

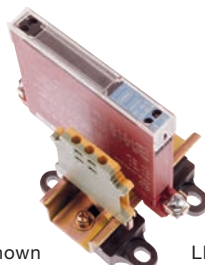
Intrinsically safe for use in hazardous locations, the intrinsically safe ultrasonic transmitter provides continuous level measurement up to 18' (5.4m), and is configured via its integral push button display module. This non-contact liquid level sensor is ideally suited for corrosive, sticky or waste liquids, and is selected for bulk storage and day tank applications located within a classified area.

Features

- LCD digital display indicates level in inches or centimeters
- PP enclosure rated NEMA 4X with rugged Kynar® transducer
- EasyCal simple push button calibration for all user set points
- Adjustable dead band and range filters eliminate false echo returns



LM50 Shown



LB10 Shown

Specifications

Range:	6" to 18' (15cm to 5.4m)
Accuracy:	± 0.25% of range
Resolution:	0.125" (3mm)
Dead band:	6" (15cm)
Beam width:	8° conical
Configuration:	Push button
Memory:	Non-volatile
Display type:	LCD, 4-digit
Display units:	Inch or cm
Supply voltage:	12-32 VDC
Loop resist.:	600 Ohms @ 24 VDC
Signal output:	4-20 mA, two-wire
Signal invert:	4-20 mA, 20-4 mA
Signal fail-safe:	Reverts to safe state during echo loss
Process temp.:	F: -4° to 140° C: -20° to 60°
Temp. comp.:	Automatic
Ambient temp.:	F: -40° to 140° C: -40° to 60°
Pressure:	30 psi (2 bar) @ 25° C, derated @ 1.667 psi (.113 bar) per °C above 25° C
Enclosure rating:	NEMA 4X (IP65)
Encl. material:	PP, UL94V0
Conduit entrance:	Single, 1/2" NPT
Trans. material:	PVDF
Process mount:	2" NPT (2" G)
Mount gasket:	Viton®
Classification:	Intrinsically safe
Compliance:	CE
Approvals:	CSA: Class I, Groups A, B, C, D; Class II, Groups E, F, G; Class III; T3C
Parameters:	CSA: Vmax < 32.0 V; Imax < 130 mA; Ca = 0 uF; La = 0 uH
Certificates:	CSA: LR 79326

Ordering

LU20-50 1-IS

PROCESS MOUNT (1)(2)(3)

- 0 2" NPT (US)
- 6 2" G (Metric)

NOTES

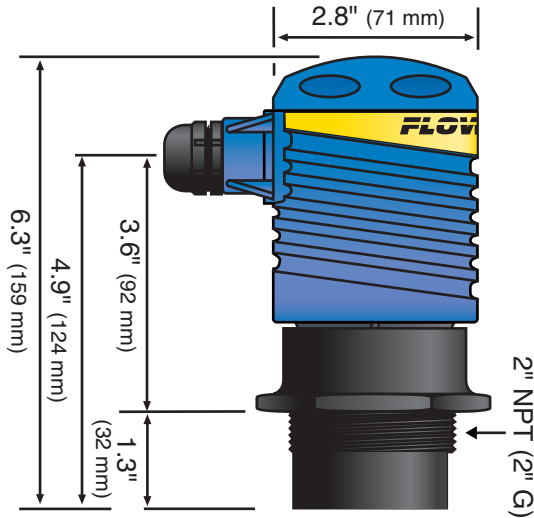
- 1) The straight G thread version seals with an included Viton® mounting gasket.
- 2) For installation on open tanks, order the LM50-1001 (2" NPT) or LM50-1061 (2" G) side mount bracket. Locate the bracket far enough inboard from the side wall to avoid sensor beam width conflicts.
- 3) To order the general purpose transmitter, do not specify the last two digits (ie: LU20-5001).
- 4) To complete your IS transmitter, add the LB10-1001 intrinsic safety barrier.

Echotouch™ LU20

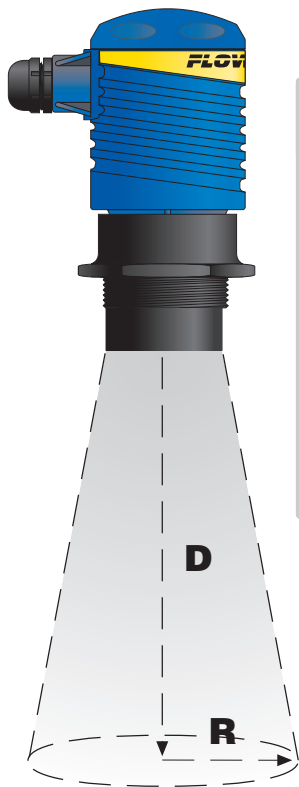
Ultrasonic Liquid Level Transmitter



Dimensions

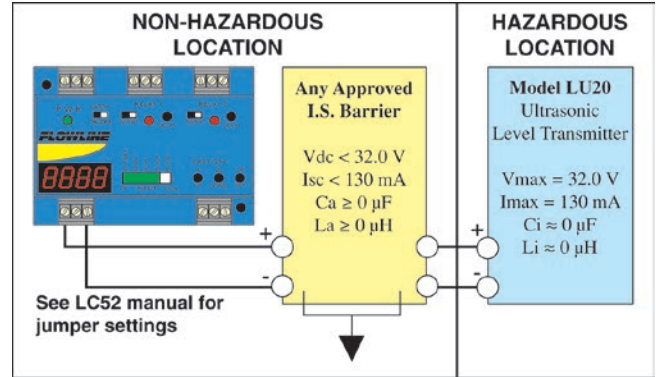


Beam Cone Data

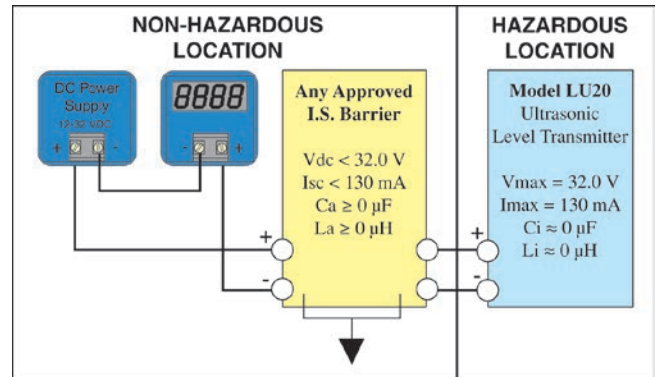


Depth (Feet)	Radius (Inches)	Radius (cm)
2	2.1	5.3
4	3.7	9.4
6	5.4	13.7
8	7.1	18.0
10	8.8	22.4
12	10.4	26.4
14	12.1	30.7
16	13.8	35.0
18	15.5	39.4

To LC52 Relay Controller



To Loop Powered Indicator



To PLC

