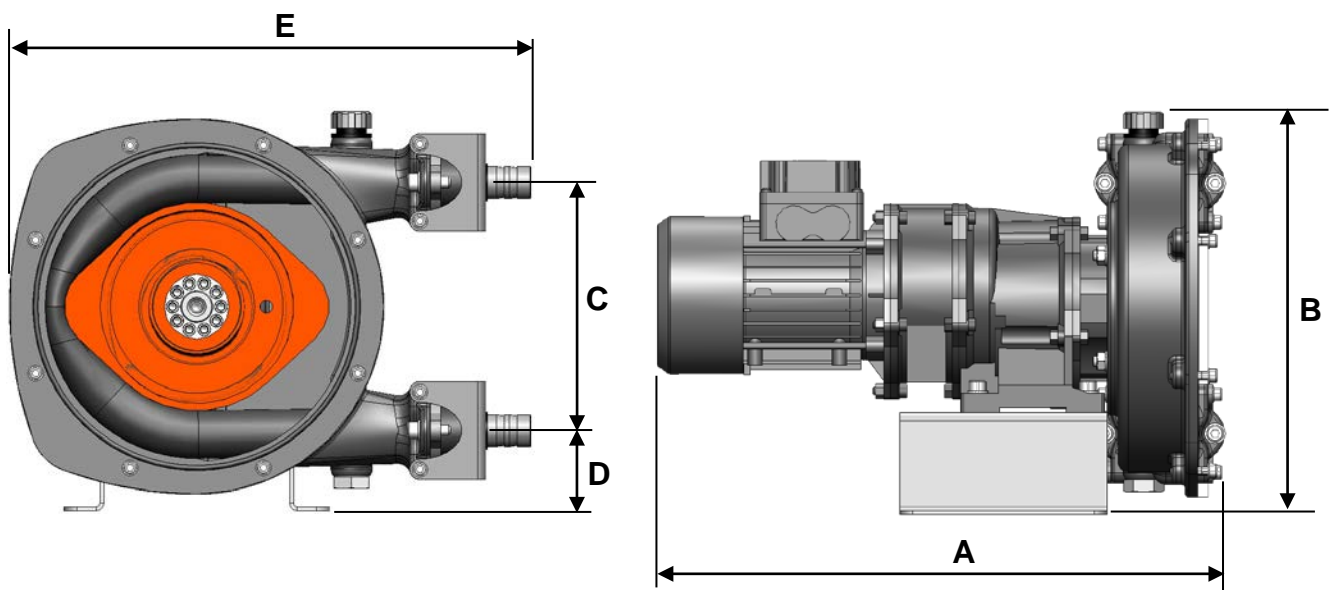


TECHNICAL CHARACTERISTICS

	STANDARD	AVAILABLE OPTIONS
Technology	Peristaltic	
Maximum Flow rate at 1 cSt L/h (GPM)	135 (0.59) (1)	
Ports	Nipples	
Dimensions mm (in.)	A	501.1 (19.73)
	B	240 (9.449)
	C	115 (4.528)
	D	60.5 (2.382)
	E	306.5 (12.067)
Weight kg (lbs)	18 - 20 (40 - 44)	

(1) Intermittent duty only.



OPERATING LIMITS

	STANDARD MATERIALS	OPTIONAL MATERIALS
Minimum temperature °C (°F)	0 (32)	
Maximum temperature °C (°F)	70 (158)	80 (176) with EPDM hose
Maximum viscosity cSt (SSU)	13000 (60000)	
Maximum differential pressure bar (psi)	7.5 (109)	
Maximum speed rpm	90 (1)	
Maximum solid particle size mm (in)	1.5 (0.06)	
Maximum soft particle size mm (in)	2.5 (0.1)	

(1) Intermittent duty only.

MATERIALS OF CONSTRUCTION

Part No	PART NAME	STANDARD MATERIALS	AVAILABLE OPTIONS
1	Casing	Ductile Iron	
2	Cover	Polycarbonate	
3	Rotor	Ductile Iron	
10	Cover seal	FKM	
26	Shaft seal	FKM	
12	Insert	Stainless steel	PPH, PVDF
16	Hose	NR	NBR, NBR-FDA, EPDM, Hypalon
18	Bracket	Stainless steel	
	Bolts, screws, washers	Stainless steel	

